



Wrightway Products®

ABN 33 071 810 458

Ph: 02 6622 7111

Fax: 02 6622 7131

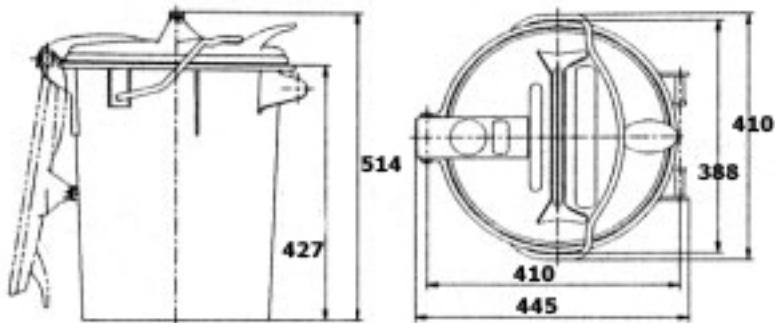
info@wrightway.com.au

PO Box 6296
SOUTH LISMORE NSW 2480

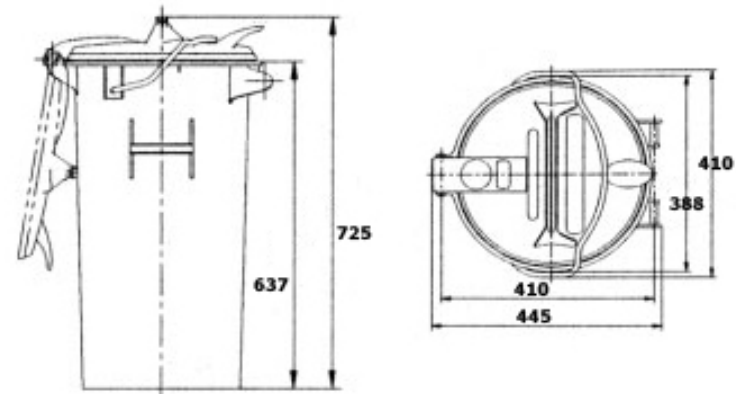
www.wrightway.com.au

Dimensions (Dimensions shown are a guide only)

35 Litre



50 Litre

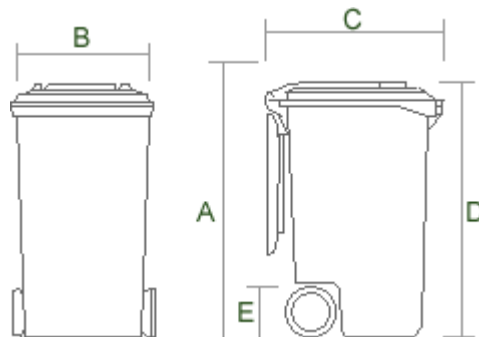


490mm wide including handles

60 Litre

- **A** = 658mm
- **B** = 465mm
- **C** = 534mm
- **D** = 593mm
- **E** = 200mm

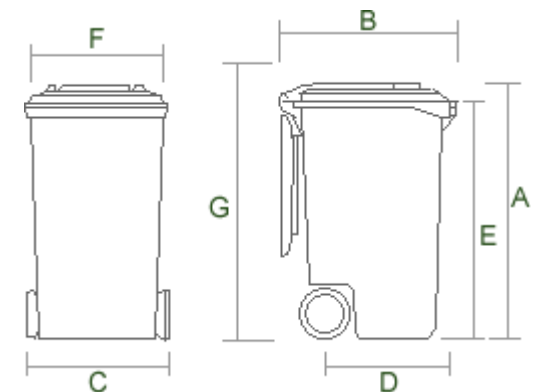
Weight 8.4Kg



80 Litre Standard Bin

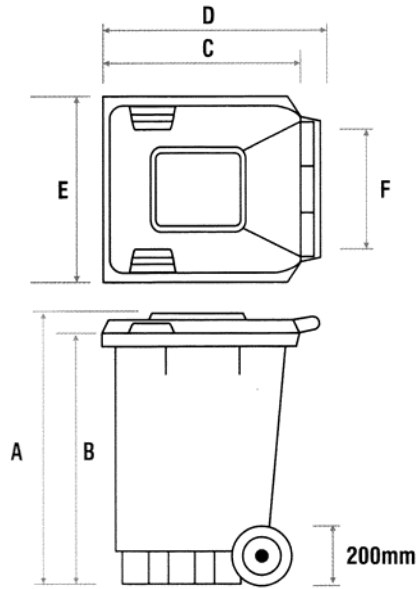
- **A** = 880mm
- **B** = 560mm
- **C** = 470mm
- **D** = 410mm
- **E** = 870mm
- **F** = 360mm
- **G** = 940mm

Weight 8.2Kg



80 Litre Wrightway Bin

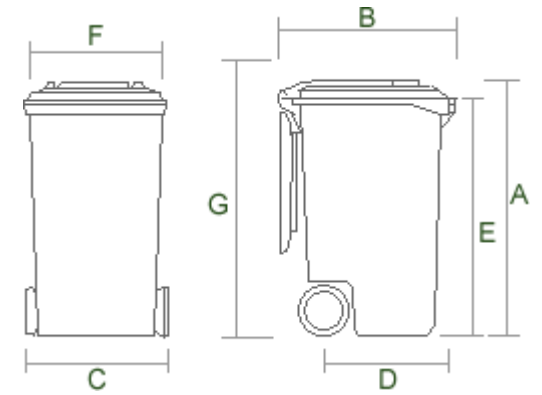
- **A** = 801mm
- **B** = 743mm
- **C** = 480mm
- **D** = 561mm
- **E** = 480mm
- **F** = 373mm



120 Litre

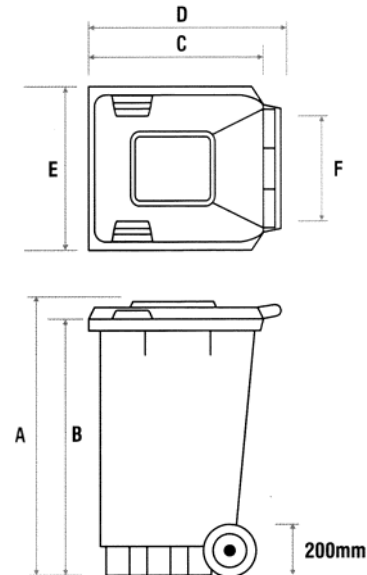
- **A** = 930mm
- **B** = 560mm
- **C** = 480mm
- **D** = 405mm
- **E** = 870mm
- **F** = 440mm
- **G** = 980mm

Weight 8.2Kg



140 Litre Wrightway Bin

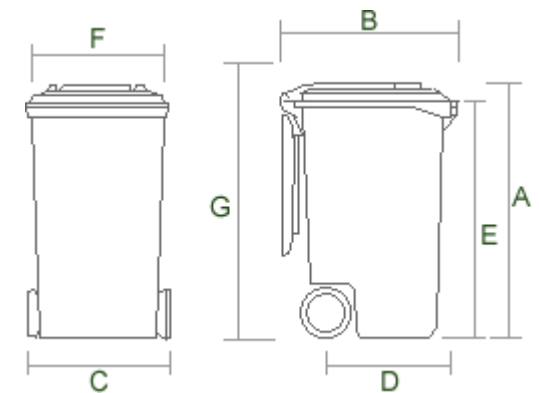
- **A** = 920mm
- **B** = 860mm
- **C** = 550mm
- **D** = 640mm
- **E** = 535mm
- **F** = 400mm



140 Litre Standard Bin

- **A** = 870mm
- **B** = 615mm
- **C** = 535mm
- **D** = 550mm
- **E** = 850mm
- **F** = 505mm
- **G** = 915mm

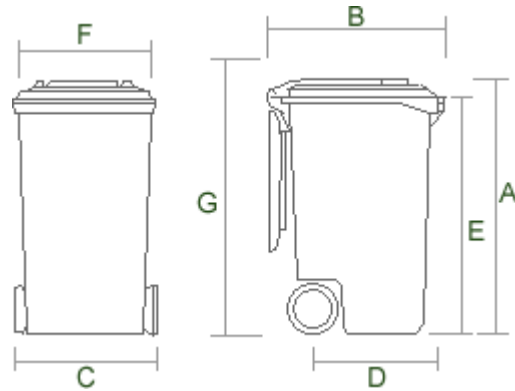
Weight 8.2Kg



240 Litre

- **A** = 1070mm
- **B** = 740mm
- **C** = 570mm
- **D** = 535mm
- **E** = 995mm
- **F** = 550mm
- **G** = 1140mm

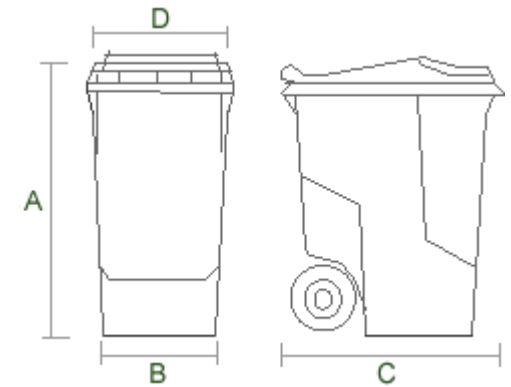
Weight 15.5Kg



360 Litre

- **A** = 1100mm
- **B** = 626mm
- **C** = 850mm
- **D** = 620mm
- **E** = 200mm

Weight 24Kg

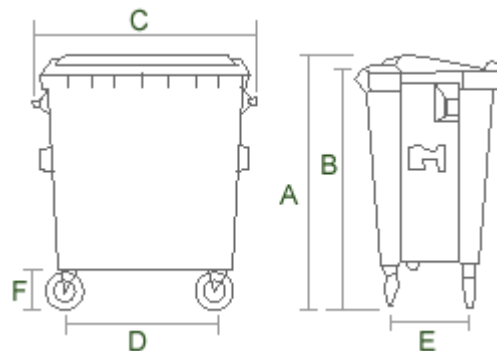


Dimensions: 4 wheeled Industrial Bins (Skips)

660 Litre

- **A** = 1215mm
- **B** = 1135mm
- **C** = 1340mm
- **D** = 860mm
- **E** = 490mm
- **F** = 200mm

Weight 50.0Kg



1100 Litre

- **A** = 1300mm
- **B** = 1210mm
- **C** = 1340mm
- **D** = 860mm
- **E** = 755mm
- **F** = 200mm

Weight 60.0Kg)

